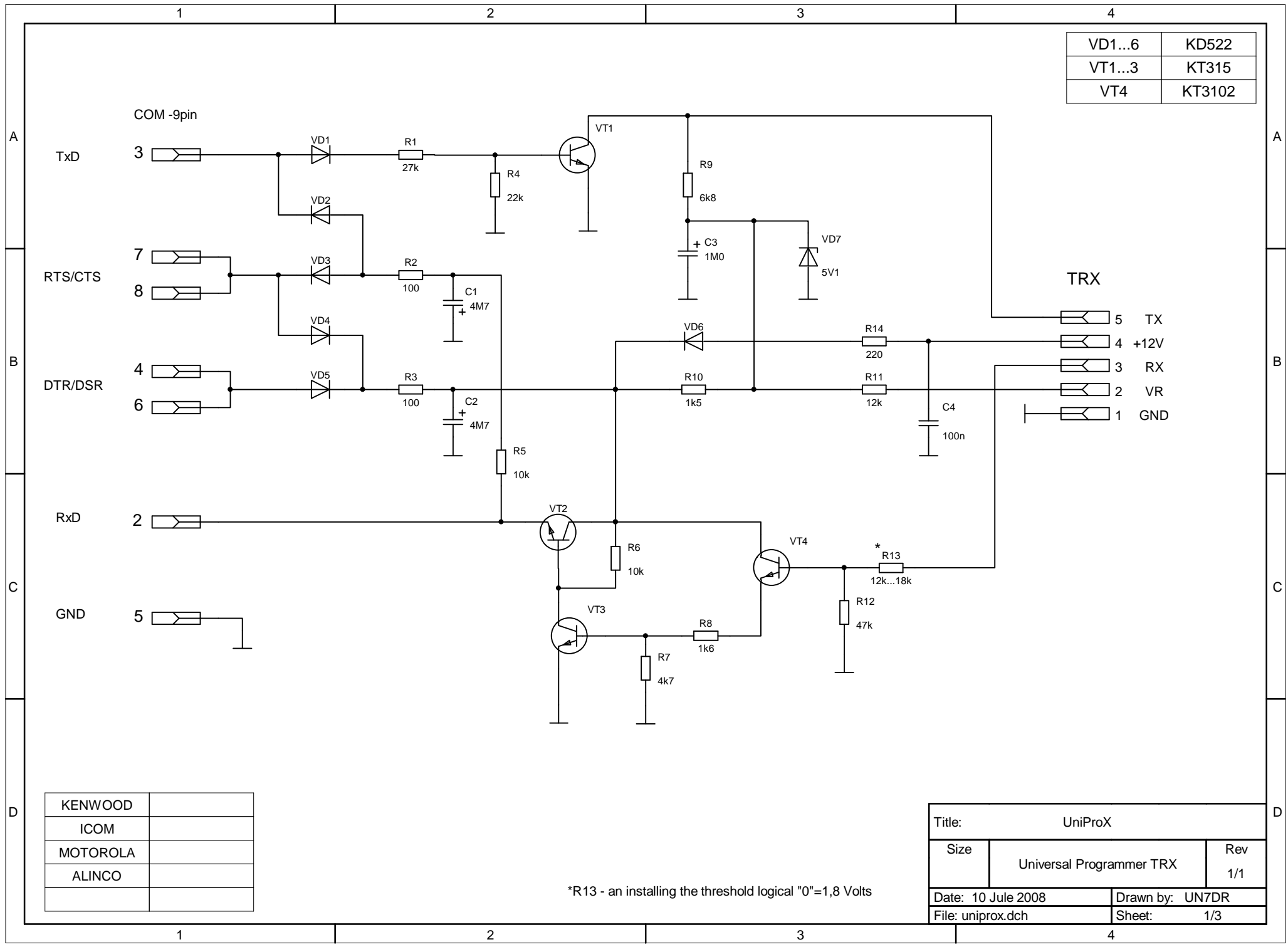


VD1...6	KD522
VT1...3	KT315
VT4	KT3102

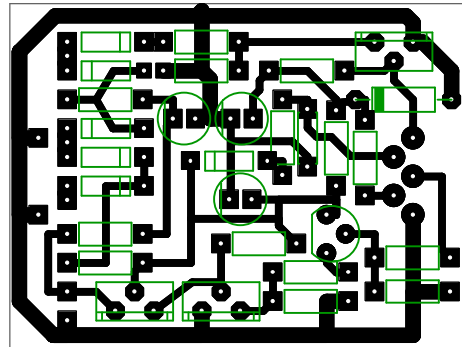


KENWOOD	
ICOM	
MOTOROLA	
ALINCO	

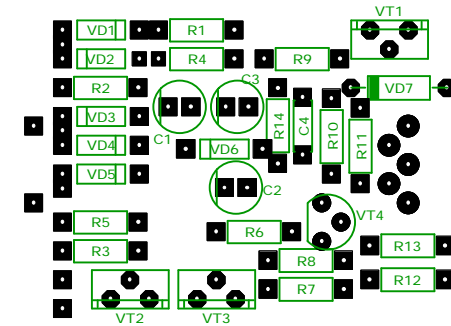
*R13 - an installing the threshold logical "0"=1,8 Volts

Title: UniProX		
Size	Universal Programmer TRX	Rev 1/1
Date: 10 Jule 2008	Drawn by: UN7DR	
File: uniprox.dch	Sheet: 1/3	

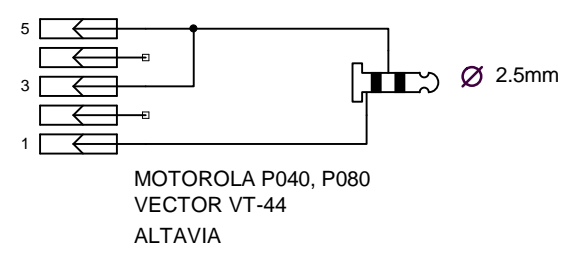
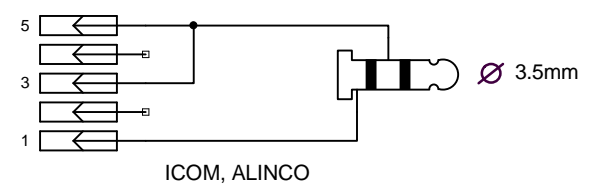
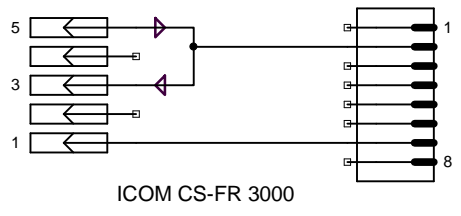
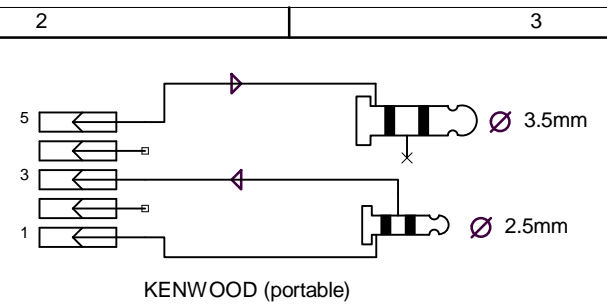
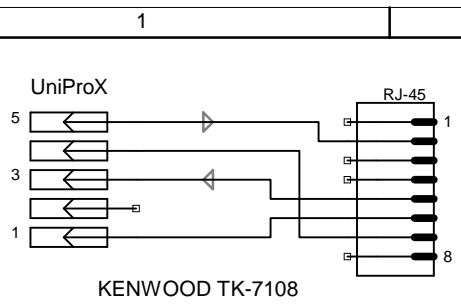
TxD - 3
 RTS/CTS-7,8
 DTR/DSR-4,6
 RxD - 2
 GND



5
 3
 1



Title: UniProX		
Size	PCB	Rev 2
Date: 21 July 2008	Drawn by: N.Zaglyadin	
File:uniprox-PCB2	Sheet:	3/3



*Maximum length of the cables: not more 300 mm.

Title: UniProX		
Size	Cables UniProX - TRX	Rev 1/1
Date: 16 Jule 2008	Drawn by: UN7DR	
File: uniprox.dch	Sheet: 2/3	